

Customer cases

Vertical screw conveyors (VSC)

CLAUDIUS PETERS IBERICA, SPAIN

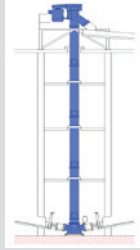
End user: Hormigones Domingo Giménez, Motril, Spain

Height: 5m

Capacity: 350t/h

Delivery: 3 VSC 400

Material conveyed: Cement



CEMEX (ROI) LTD., IRELAND

End user: Cemex (ROI) Ltd., Dublin, Ireland

Length: 5m

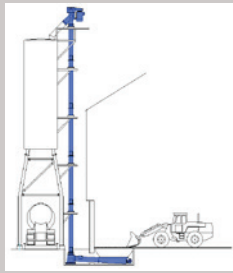
Height: 21m

Capacity: 300t/h

Delivery: 1 HSC 400, 1 VSC 400

Material conveyed: GGGS

(Ground granulated blast furnace slag)



SECIL, PORTUGAL

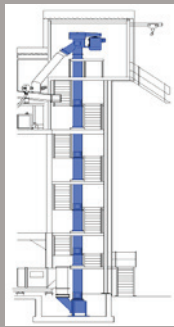
End user: Secil for Setubal, Portugal

Height: 16.5m

Capacity: 220t/h

Delivery: 1 VSC 400

Material conveyed: Cement



Horizontal screw conveyors (HSC)

CARGILL B.V., THE NETHERLANDS

End user: Cargill B.V., Amsterdam, The Netherlands

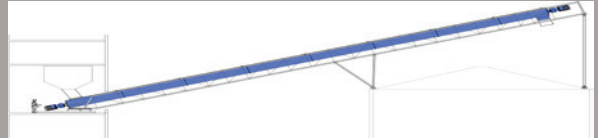
Length: 41m

Height (elevation): 12,5m (18°)

Capacity: 800t/h

Delivery: 1 HSC 1000

Material conveyed: Soybeans and rapeseed



CEMINTER, SPAIN

End user: Ceminter for Motril, Spain

Capacity: 600t/h

Length: 21+15+60m

Delivery: 2+1 HSC 800

Height (elevation): 7.3+5.4+0m

Material conveyed: Cement



BRÄUER, GERMANY

End user: France Liants for Le Havre, France

Length: 35m

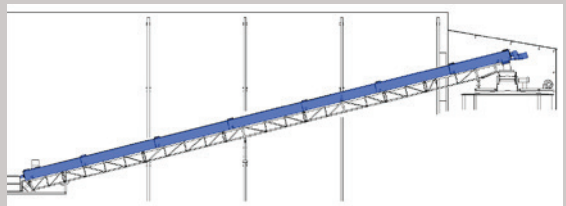
Height (elevation): 8.5m

Capacity: 300t/h

Delivery: 1 HSC 630

Material conveyed: Cement, GGGS

(Ground granulated blast furnace slag)



Contact

Siwertell works closely together with representatives on all continents. Please contact our head office below and we will direct you to your local Siwertell contact.

Siwertell AB

P.O. Box 566 Gunnarstorp, SE-26725 Bjuv, Sweden

+46 42 85800

sales@siwertell.com

siwertell.com

The Siwertell product portfolio includes ship unloaders, mobile ship unloaders, ship loaders, horizontal and vertical screw conveyors as well as complete dry bulk terminal solutions. Virtually any dry bulk cargo can be handled and all Siwertell solutions are designed to ensure sustainable, efficient and safe cargo operations. Siwertell is part of Cargotec Corporation.



Siwertell



Product data

Horizontal and vertical screw conveyors

Siwertell screw conveyors have been a central part in loading/unloading systems for dry bulk material handling on ships and ashore all over the world for more than half a century. Numerous installations, undertaken by Siwertell have integrated these dependable and cost-efficient components with conveying systems.

Siwertell screw conveyors are designed to handle a great variety of dry bulk materials, such as cement, lime raw meal, apatite, urea, fly ash and gypsum, under hard conditions. For long distance and high lifting heights, two or more screw conveyors are arranged in series. When large capacities are to be handled, the conveyors can run parallel to each other. The screw conveyors are completely enclosed, which reduces dust creation to a minimum.

They have been supplied to numerous customers for installations worldwide in e.g. industries, port terminals, ships, silos, and power plants. The heart of Siwertell screw conveyors is the easily replaceable intermediate bearing, specially developed to resist wear.

Siwertell horizontal and vertical screw conveyors operate with the helical flight pushing and throwing the bulk material forward by rotational action. Capacities range from 30 to 1,700 m³/h.

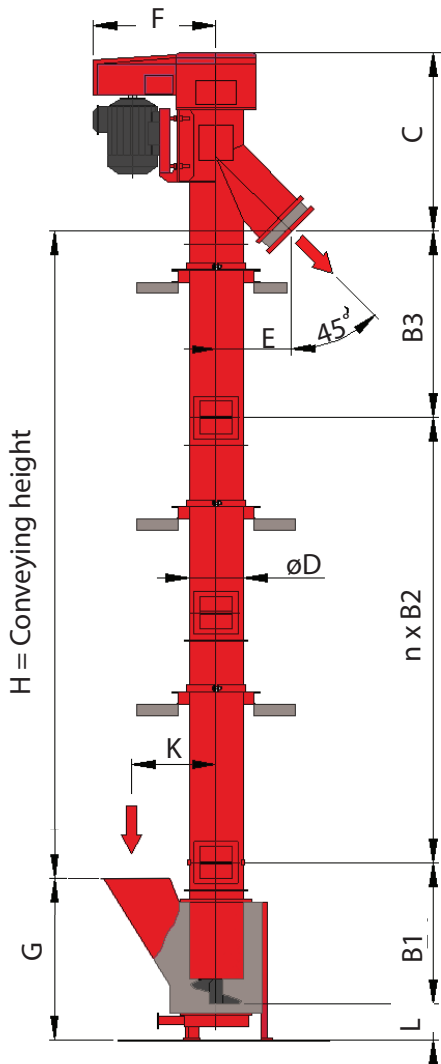
The rigid and heavy-duty construction of these conveyors reduces wear and enables easy maintenance at infrequent intervals. They are suitable for applications in any kind of environment indoors and outdoors as well as on ships. Modular construction ensures swift and easy installation in new and existing bulk conveying systems.

Siwertell

Vertical screw conveyors (VSC)

VSC 200-700

Single motor drive

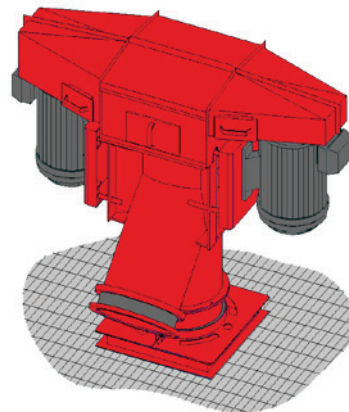


VSC Features

- long-life intermediate bearings
- loading box with fluidised bottom
- conveying with different angles
- single or twin motor drive
- v-belt transmission
- speed guard included
- flexible connection at outlet

VSC 300-700

Twin motor drive

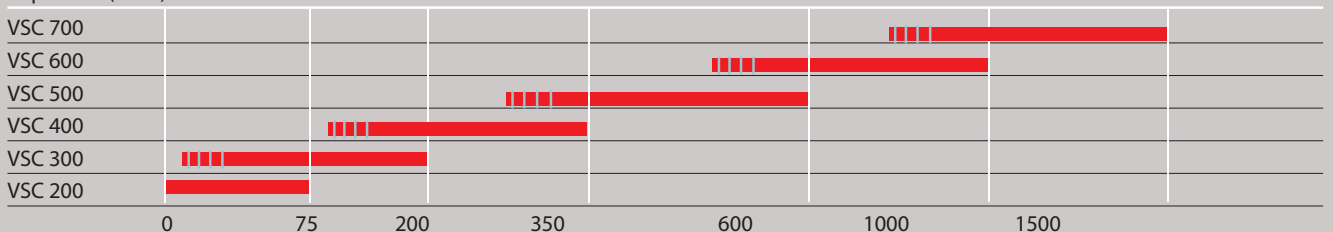


Dimensions (mm)

	B1	B2 (max)	B3 (max)	C	øD	E	F	G	K	L
VSC 700	1600	4800	3850	1900	711	925	1600	1800	1000	325
VSC 600	1600	4800	3850	1800	610	825	1550	1600	900	325
VSC 500	1350	4800	3850	1600	508	700	1400	1600	800	325
VSC 400	1100	4200	3500	1400	406	600	1300	1250	650	300
VSC 300	900	3500	2900	1100	324	470	1000	975	500	275
VSC 200	650	3000	2700	800	244,5	370	800	800	400	225

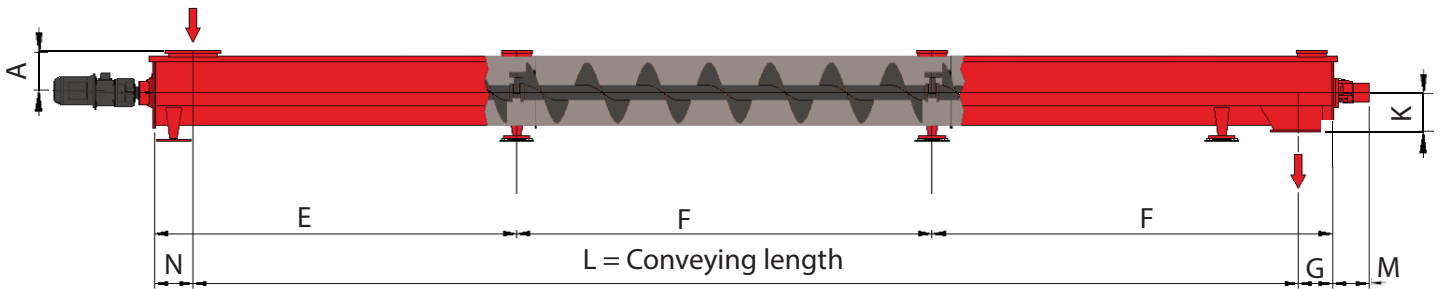
We reserve the right to make changes.

Capacities (m³/h)

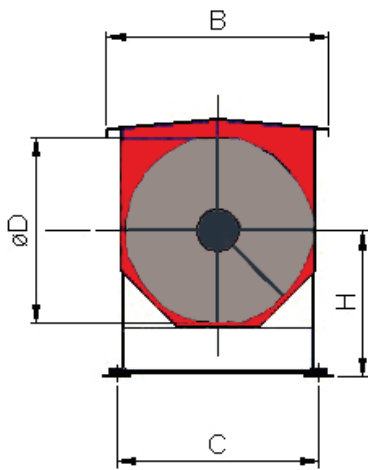


Capacities in m³/h based on vertical conveying of cement.

Horizontal screw conveyors (HSC)



Type HSC 400-1000



HSC Features

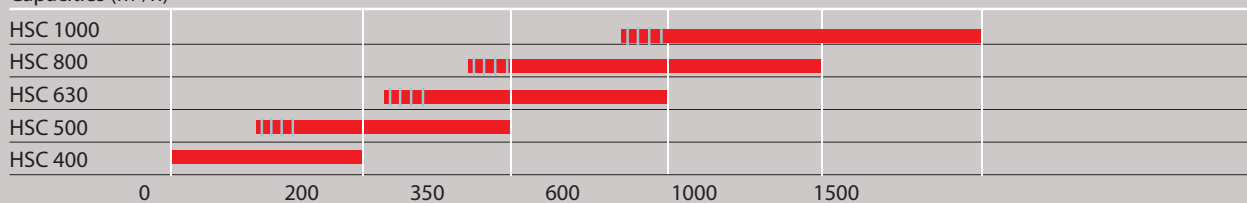
- reversible conveying direction
- one or more inlets
- one or more outlets
- drive unit can be located at loading or unloading end
- inclined conveying
- various types of drive units
- speed guard included

Dimensions (mm)

	A	B	C	øD	E (max)	F (max)	G	H	K	M	N
HSC 1000	650	1200	1070	1000	4500	5500	630	800	630	300	1000
HSC 800	550	950	870	800	4500	5500	500	630	500	300	800
HSC 630	450	780	700	630	4500	5500	400	500	400	300	630
HSC 500	375	650	570	500	4500	5500	315	400	315	300	500
HSC 400	325	550	455	400	3500	4500	250	315	250	300	400

We reserve the right to make changes.

Capacities (m³/h)



Capacities in m³/h based on horizontal conveying of cement.